

SCHEMATIC DIAGRAM

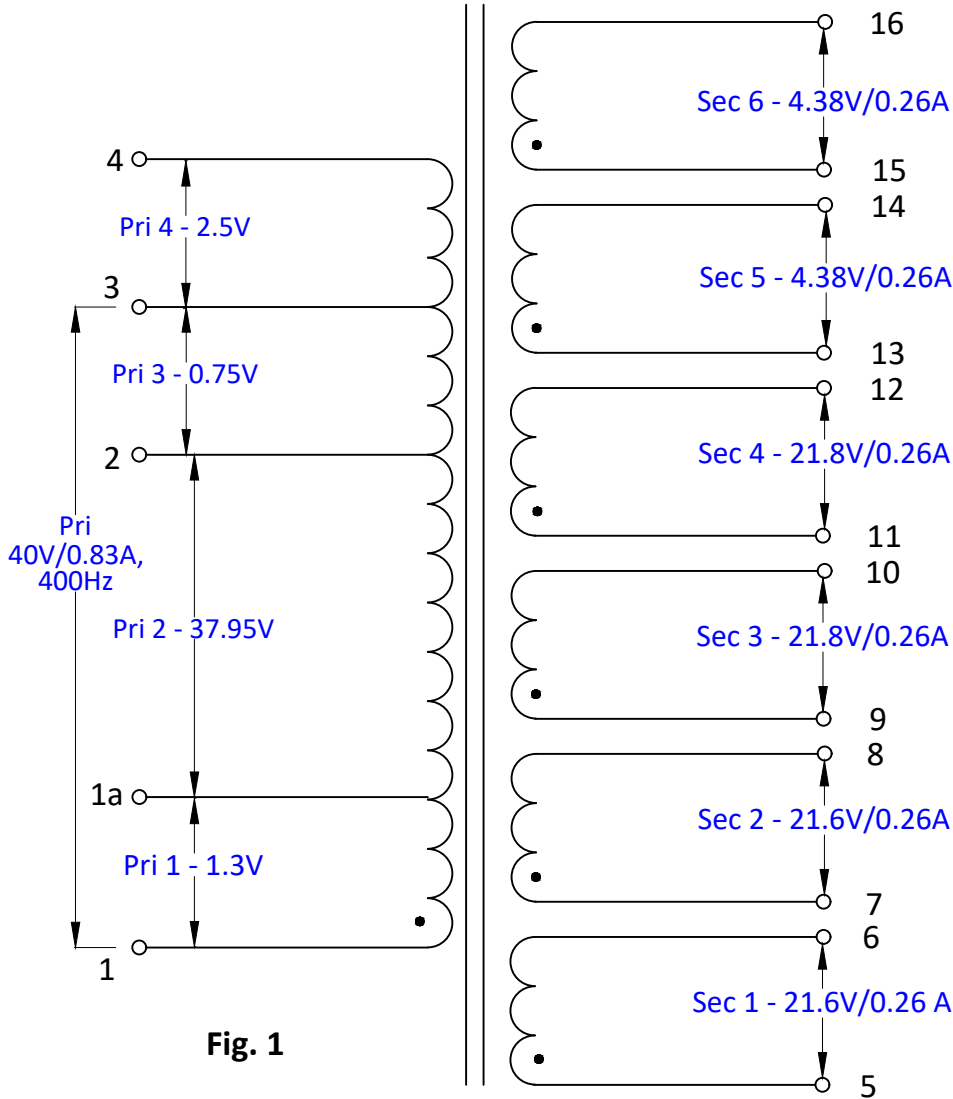


Fig. 1

● Indicates the starting of Winding

ROHS COMPLIANT

TITLE : Schematic Diagram					PART DESC		
					Transformer		
					CUSTOMER PART NO		SVM PART CODE
							91047
					REV	DATE	SHEET
					A	12-07-2023	1 of 3
CH LTR	ALT NO	SIGN	DATE	CHANGES			
A			12-07-2023	Initial Release			
ALL DIMENSIONS ARE IN mm.				GENERAL TOLERANCE ± 0.05 mm UNLESS OTHERWISE SPECIFIED			
							SCALE : NTS
							SIZE : A4
					DRAWN	CHECKED	APPROVED

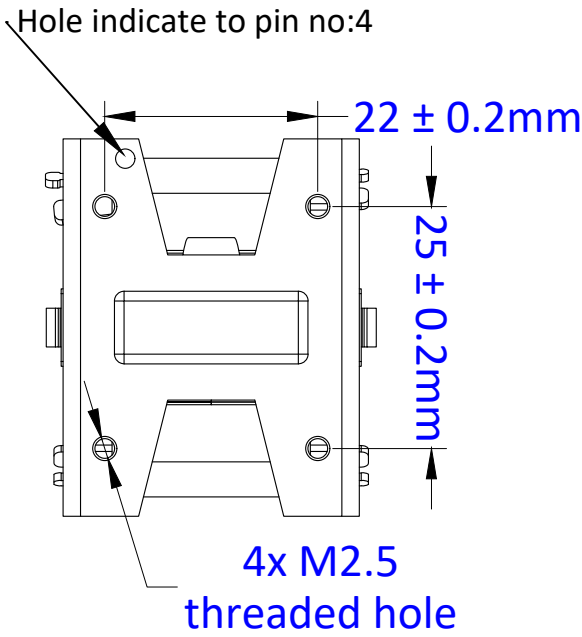
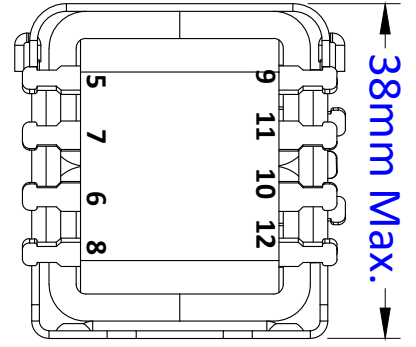
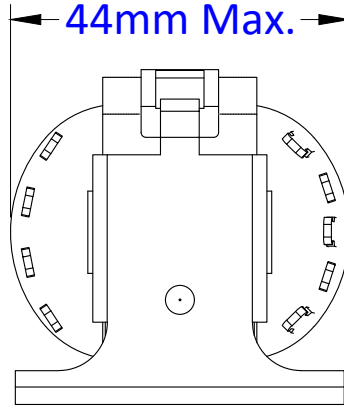
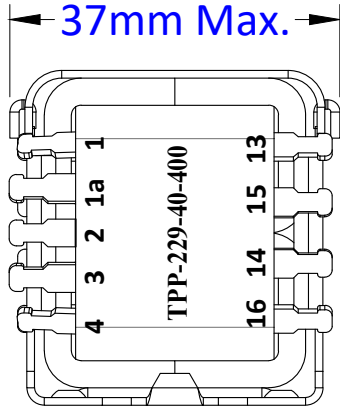
This document is the private property of the company. It must not be reproduced, disclosed to any third parties or used for manufacturing purposes without permission in writing from the company.

Deliveries to be only as per the approved sample. Any change in tool (making, replacement) and material only with prior approval.

This document is the private property of the company. It must not be reproduced, disclosed to any third parties or used for manufacturing purposes without permission in writing from the company.

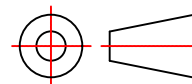
Deliveries to be only as per the approved sample. Any change in tool (making, replacement) and material only with prior approval.

MECHANICAL DIMENSION



ROHS COMPLIANT

TITLE : Mechanical Diagram				PART DESC		
				Transformer		
				CUSTOMER PART NO		SVM PART CODE
						91047
		REV	DATE	SHEET		
		A	12-07-2023	2 of 3		
CH LTR	ALT NO	SIGN	DATE	CHANGES		
				SCALE : NTS		
ALL DIMENSIONS ARE IN mm.				GENERAL TOLERANCE ± 0.05 mm UNLESS OTHERWISE SPECIFIED		
				DRAWN		CHECKED
						APPROVED



ELECTRICAL SPECIFICATION

1. Voltage given at the primary windings of the transformer

Mains rated voltage V. across terminals 1& 3	Voltage across			Tolerance %
	1-1a	2-3	3-4	
40V at 400Hz	1.3V	0.75V	2.5V	1% of mains Nominal voltage

2. Secondary winding voltage in open circuit condition

Open circuit current A (Max)	Secondary winding Voltage					
	Tolerance $\pm 3\%$				Tolerance $\pm 10\%$	
	5-6	7-8	9-10	11-12	13-14	15-16
0.45	21.6	21.6	21.8	21.8	4.38	4.38

3. Secondary voltage & current in rated load current

Primary current A (Max)	Secondary Voltage						Secondary windings Current (A)
	Tolerance $+10\%, -5\%$				Tolerance $+14\%, -10\%$		
	5-6	7-8	9-10	11-12	13-14	15-16	
0.83	20	20	20	20	4	4	0.26

ROHS COMPLIANT

TITLE : Electrical Specification

PART DESC

Transformer

CUSTOMER PART NO

SVM PART CODE

91047

REV

DATE

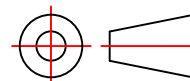
SHEET

A

12-07-2023

3 of 3

Initial Release



SCALE : NTS

SIZE : A4

ALL DIMENSIONS ARE IN mm.

GENERAL TOLERANCE ± 0.05 mm
UNLESS OTHERWISE SPECIFIED

DRAWN

CHECKED

APPROVED

svm
CHENNAI

This document is the private property of the company. It must not be reproduced, disclosed to any third parties or used for manufacturing purposes without permission in writing from the company.

Deliveries to be only as per the approved sample. Any change in tool (making, replacement) and material only with prior approval.

ELECTRICAL SPECIFICATION


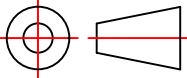
1. Insulation resistance : Across windings As well as between body & Windings : $\geq 1000\text{M}\Omega$ at 500VDC
2. Insulation strength :
 - Primary winding to body : 500V, 50Hz
 - Primary to secondary winding : 500V, 50Hz
 - Secondary winding & Body : 500V, 50Hz
 - Across the Secondary windings : 500V, 50Hz
3. Primary winding voltage across 1&3 : 38V(Min), 42V(Max)
4. Main frequency : 360Hz (Min), 1000Hz(Max)
5. Temperature raise : $\leq 55^{\circ}\text{C}$
6. Weight : <140gms
7. Part no : TPP229-40-400
(Equivalent to Russian transformer TИИИ229-40-400)

ENVIRONMENTAL TESTS :

The transformer will meet thermal & humidity requirements.

1. High operating temperature of medium : $85^{\circ}\pm 2^{\circ}\text{C}$
2. Low operating temperature of medium : -60°C
3. Temperature variation of medium : -60°C to $+85^{\circ}\text{C}$
4. High relative humidity at temperature of medium 25°C : $98+0/-5\%$

ROHS COMPLIANT

TITLE : Electrical Specification				PART DESC		
				Transformer		
				CUSTOMER PART NO		SVM PART CODE
						91047
				REV	DATE	SHEET
				A	12-07-2023	3 of 3
CH LTR	ALT NO	SIGN	DATE	CHANGES		
				Initial Release		
ALL DIMENSIONS ARE IN mm.				GENERAL TOLERANCE ± 0.05 mm UNLESS OTHERWISE SPECIFIED		
						SCALE : NTS
						SIZE : A4
				DRAWN		CHECKED
						APPROVED

This document is the private property of the company. It must not be reproduced, disclosed to any third parties or used for manufacturing purposes without permission in writing from the company.

Deliveries to be only as per the approved sample. Any change in tool (making, replacement) and material only with prior approval.