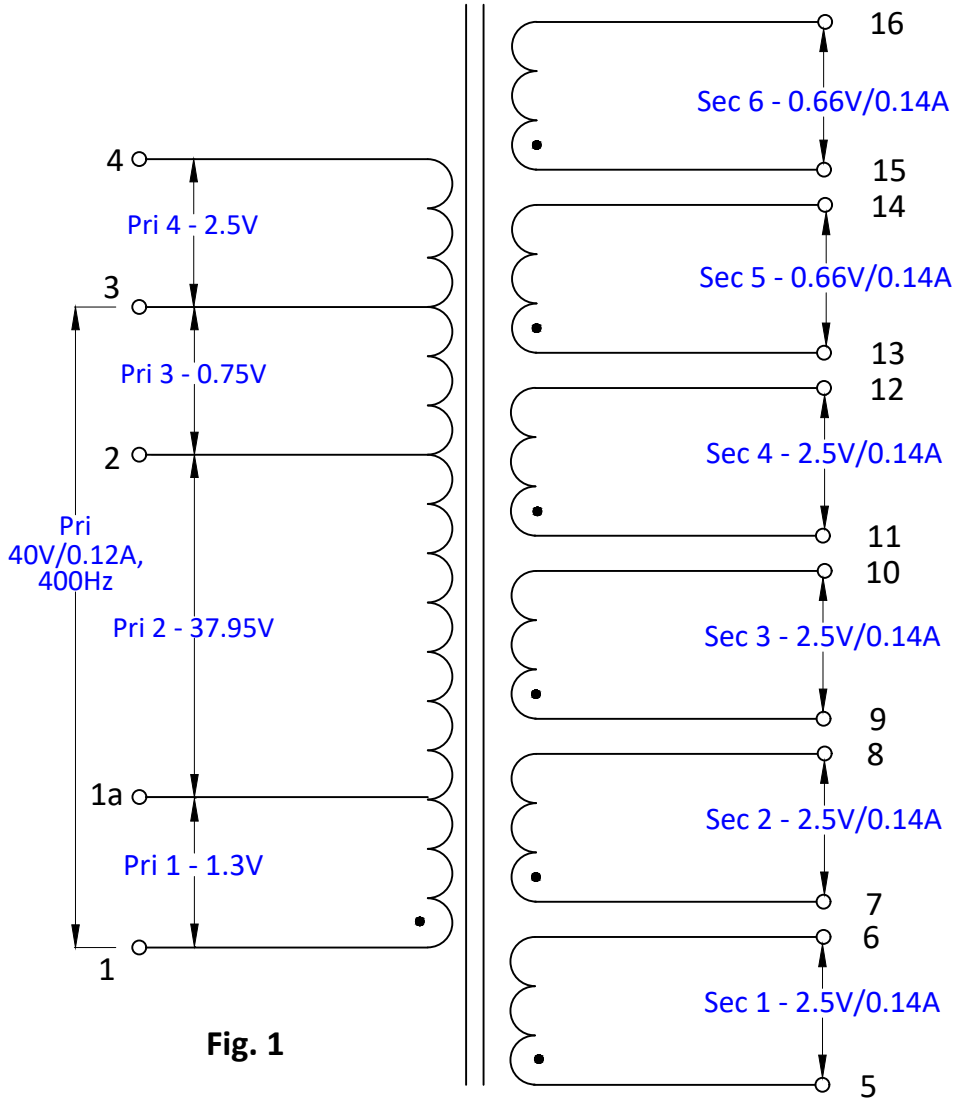


# SCHEMATIC DIAGRAM



**Fig. 1**

● Indicates the starting of Winding

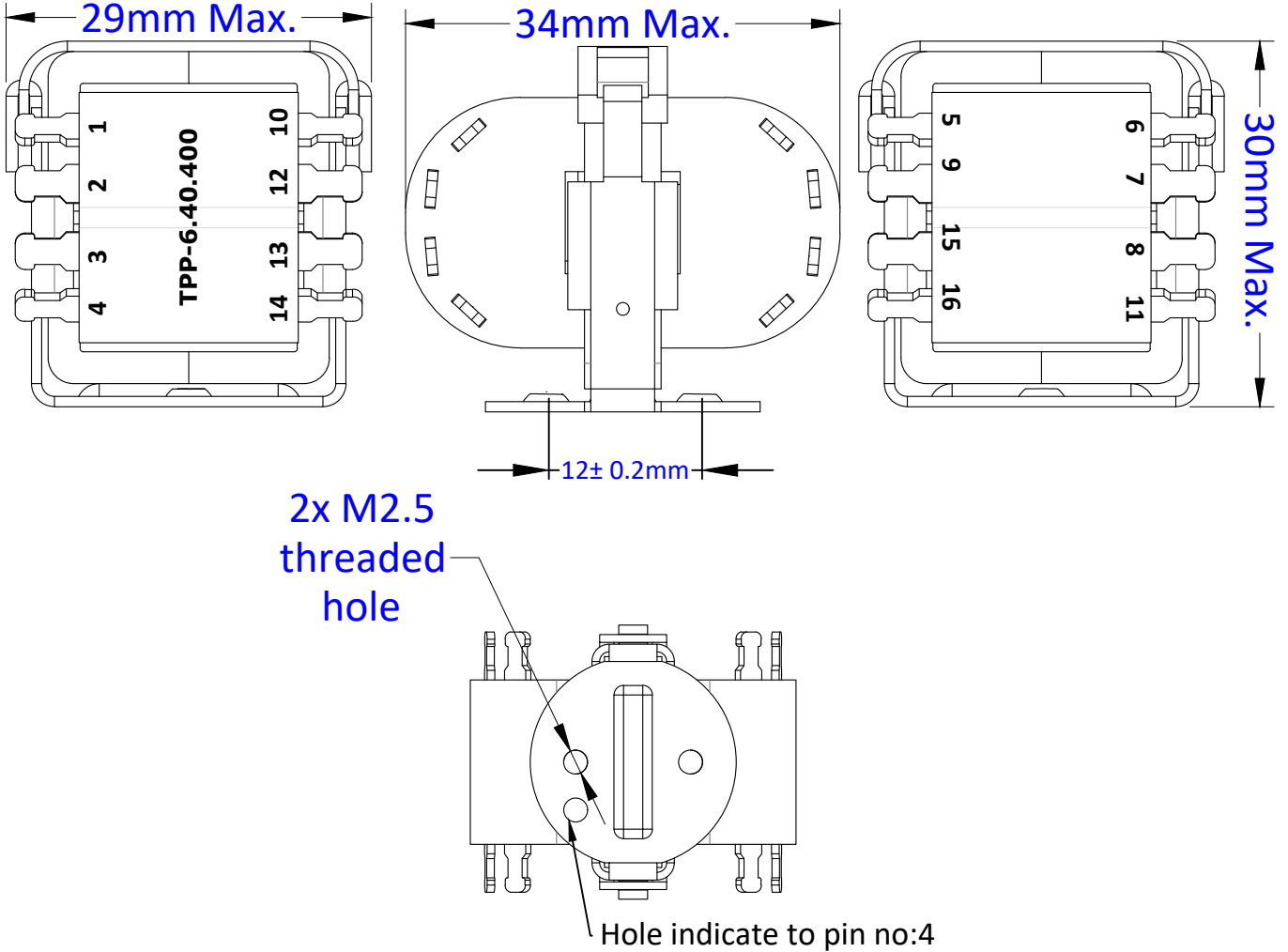
ROHS COMPLIANT

TITLE : Schematic Diagram					PART DESC		
					Transformer		
					CUSTOMER PART NO		SVM PART CODE
							91048
					REV	DATE	SHEET
					A	12-07-2023	1 of 3
					Initial Release		
CH LTR	ALT NO	SIGN	DATE	CHANGES			
ALL DIMENSIONS ARE IN mm.				GENERAL TOLERANCE $\pm 0.05$ mm UNLESS OTHERWISE SPECIFIED			
							SCALE : NTS
							SIZE : A4
					DRAWN	CHECKED	APPROVED

This document is the private property of the company. It must not be reproduced, disclosed to any third parties or used for manufacturing purposes without permission in writing from the company.

Deliveries to be only as per the approved sample. Any change in tool (making, replacement) and material only with prior approval.


# MECHANICAL DIMENSION

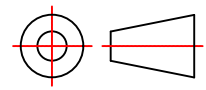


This document is the private property of the company. It must not be reproduced, disclosed to any third parties or used for manufacturing purposes without permission in writing from the company.

Deliveries to be only as per the approved sample. Any change in tool (making, replacement) and material only with prior approval.

**ROHS COMPLIANT**

TITLE : Mechanical Diagram				PART DESC		
				Transformer		
				CUSTOMER PART NO		SVM PART CODE
						91048
		REV	DATE	SHEET		
A		12-07-2023	Initial Release		2 of 3	
CH LTR	ALT NO	SIGN	DATE	CHANGES		
ALL DIMENSIONS ARE IN mm.				GENERAL TOLERANCE ± 0.05 mm UNLESS OTHERWISE SPECIFIED		
				DRAWN		CHECKED
						APPROVED



# ELECTRICAL SPECIFICATION

## 1.Voltage given at the primary windings of the transformer

Mains rated voltage V. across terminals 1& 3	Voltage across			Tolerance %
	1-1a	2-3	3-4	
40V at 400Hz	1.3V	0.75V	2.5V	1% of mains Nominal voltage

## 2.Secondary winding voltage in open circuit condition

Open circuit current A (Max)	Secondary winding Voltage					
	Tolerance $\pm 3\%$				Tolerance $\pm 10\%$	
	5-6	7-8	9-10	11-12	13-14	15-16
0.12	2.96	2.96	3.0	3.0	0.78	0.78

## 3.Secondary voltage & current in rated load current

Primary current A (Max)	Secondary Voltage						Secondary windings Current (A)
	Tolerance +10%,-5%			Tolerance +14%,-10%			
	5-6	7-8	9-10	11-12	13-14	15-16	
0.12	2.5	2.5	2.5	2.5	0.66	0.66	0.14

ROHS COMPLIANT

TITLE : Electrical Specification

PART DESC

Transformer

CUSTOMER PART NO

SVM PART CODE

91048

REV

DATE

SHEET

A

12-07-2023

3 of 3

Initial Release

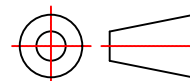
CH LTR

ALT NO

SIGN

DATE

CHANGES



SCALE : NTS

ALL DIMENSIONS ARE IN mm.

GENERAL TOLERANCE  $\pm 0.05$  mm  
UNLESS OTHERWISE SPECIFIED

SIZE : A4

**svm**  
CHENNAI

DRAWN

CHECKED

APPROVED

This document is the private property of the company. It must not be reproduced, disclosed to any third parties or used for manufacturing purposes without permission in writing from the company.

Deliveries to be only as per the approved sample. Any change in tool (making, replacement) and material only with prior approval.

# ELECTRICAL SPECIFICATION


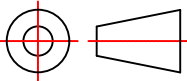
1. Insulation resistance : Across windings As well as between body & Windings :  $\geq 1000M\Omega$  at 500VDC
2. Insulation strength :
  - Primary winding to body : 500V, 50Hz
  - Primary to secondary winding : 500V, 50Hz
  - Secondary winding & Body : 500V, 50Hz
  - Across the Secondary windings : 500V, 50Hz
3. Primary winding voltage across 1&3 : 38V(Min), 42V(Max)
4. Main frequency : 360Hz (Min), 1000Hz(Max)
5. Temperature rise :  $\leq 55^{\circ}C$
6. Weight :  $< 38$ gram
7. Part No : TPP6-40-400  
(Equivalent to Russian transformer TIII6-40-400)

## ENVIRONMENTAL TESTS :

**The transformer will meet thermal & humidity requirements.**

1. High operating temperature of medium :  $85^{\circ} \pm 2^{\circ}C$
2. Low operating temperature of medium :  $-60^{\circ}C$
3. Temperature variation of medium :  $-60^{\circ}C$  to  $+85^{\circ}C$
4. High relative humidity at temperature of medium  $25^{\circ}C$  :  $98+0/-5\%$

ROHS COMPLIANT

TITLE : Electrical Specification				PART DESC		
				Transformer		
				CUSTOMER PART NO		SVM PART CODE
						91048
				REV	DATE	SHEET
				A	12-07-2023	3 of 3
CH LTR	ALT NO	SIGN	DATE	CHANGES		
	A		12-07-2023	Initial Release		
ALL DIMENSIONS ARE IN mm.				GENERAL TOLERANCE $\pm 0.05$ mm UNLESS OTHERWISE SPECIFIED		
						SCALE : NTS
						SIZE : A4
				DRAWN		CHECKED
						APPROVED

This document is the private property of the company. It must not be reproduced, disclosed to any third parties or used for manufacturing purposes without permission in writing from the company.

Deliveries to be only as per the approved sample. Any change in tool (making, replacement) and material only with prior approval.